



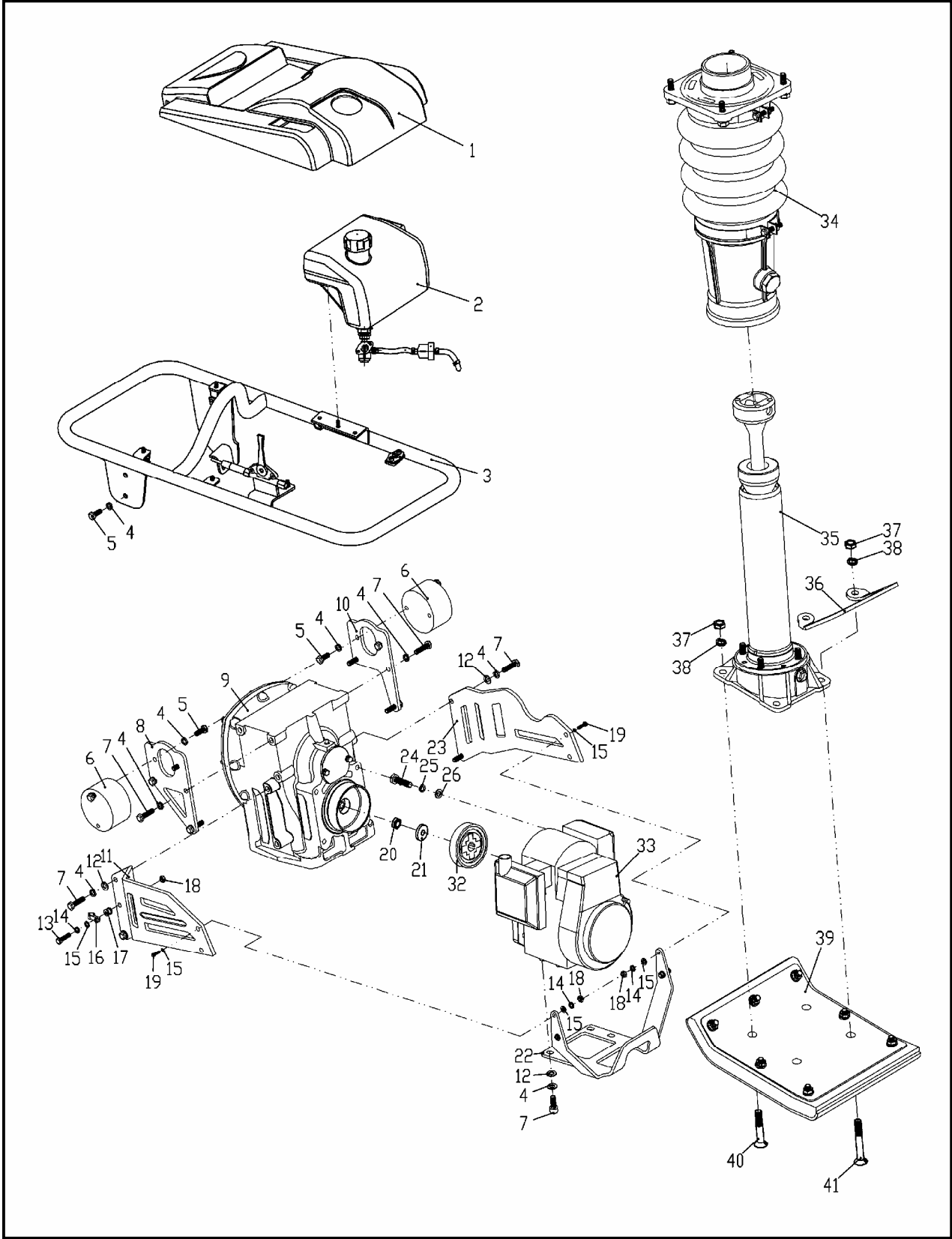
PARTS LIST

TAMPING RAMMER

PMR 60H / 60R

Tiger Equipment LLC
1260 Old Franklin Turnpike
Rocky Mount, VA 24151
Tel: 540-489-7777
Fax: 540-489-7778
www.tigerequip.com

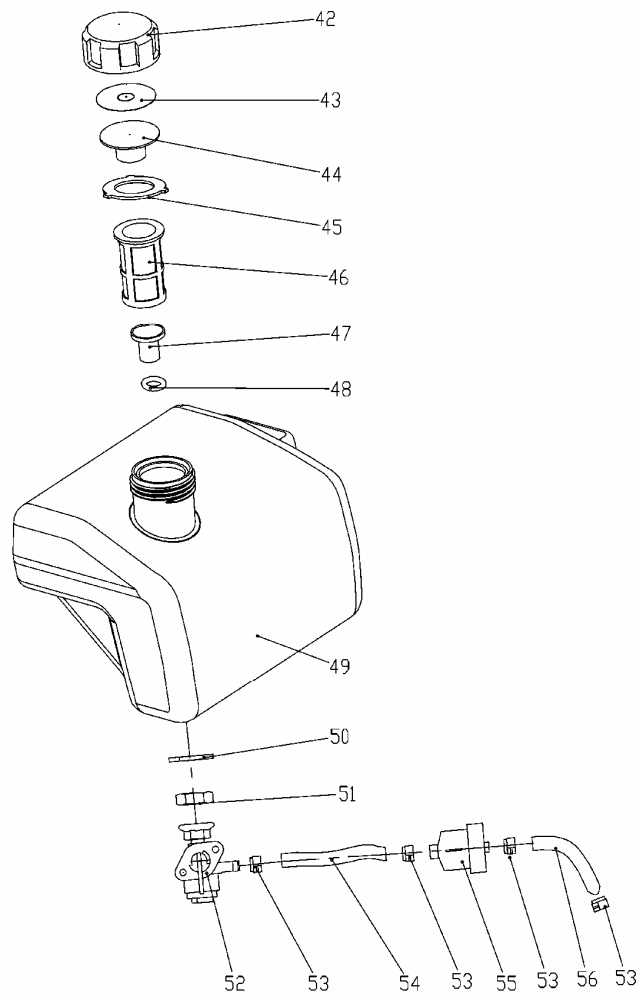
PARTS LIST 1
PMR60H/PMR60R



PARTS LIST 1
PMR60H/PMR60R

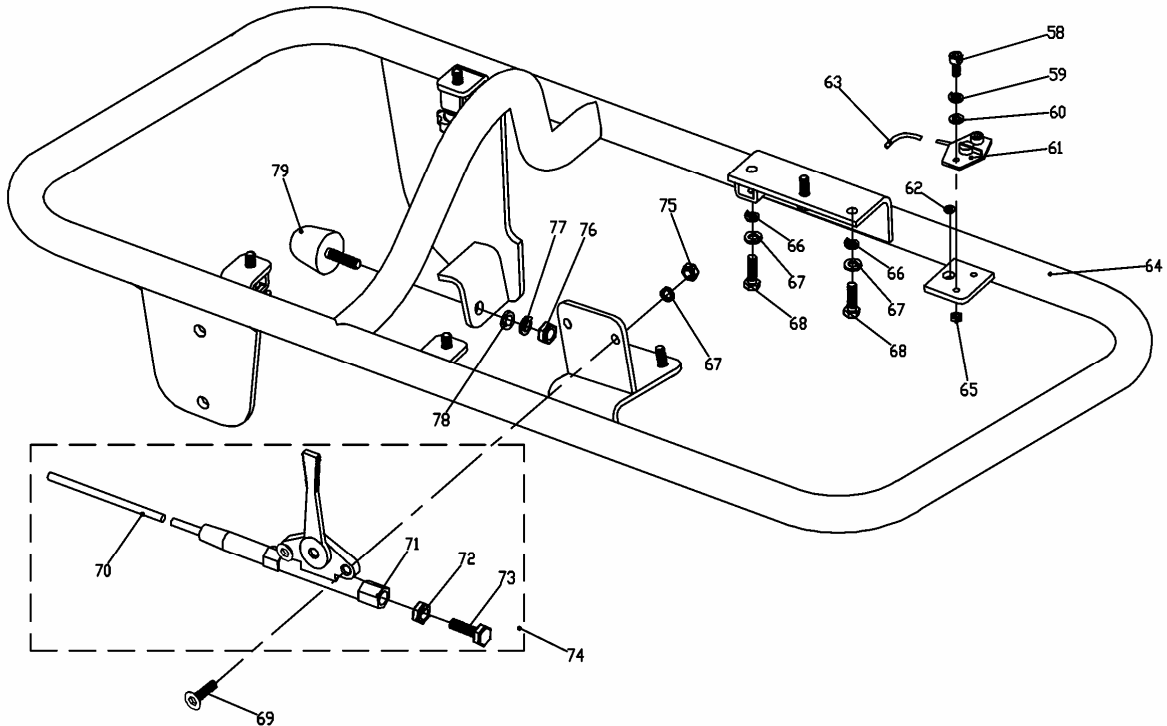
| ITEM NO. | DESCRIPTION | PART NO. | QTY | REMARK |
|----------|-------------------------|-----------------|-----|-----------------|
| 1 | TOP COVER | MRS62-5000 | 1 | |
| 2 | FUEL TANK ASSY. | MRS62-1000 | 1 | |
| 3 | HANDLE ASSY | MRS62-5001-A | 1 | |
| 4 | SPRING WASHER 8 | GB93-8 | 18 | |
| 5 | HEX BOLT M8X20 | GB5783-M8×20 | 8 | |
| 6 | VIBRATION DAMPER | MRS62-6000 | 2 | |
| 7 | HEX BOLT M8X30 | GB5783-M8×30 | 14 | |
| 8 | BRACKET SET, LEFT | MRS62-5003L | 1 | |
| 9 | CRANCK CASE ASSY. | MRS62-4000 | 1 | |
| 10 | BRACKET SET, RIGHT | MRS62-5003R | 1 | |
| 11 | PROTECTIVE FRAME, LEFT | MRS62-5104RL | 1 | FOR ROBIN EH09 |
| | | MRS62-5104HL | | FOR HONDA GX100 |
| 12 | FLAT WASHER 8 | GB97.1-8 | 4 | |
| 13 | HEX BOLT M6X45 | GB5783-M6*45 | 1 | |
| 14 | SPRING WASHER 6 | GB93-6 | 5 | |
| 15 | FLAT WASHER 6 | GB97.1-6 | 5 | |
| 16 | CLAMP | 100005-φ6 | 1 | |
| 17 | WASHER | MRS62-5101 | 1 | |
| 18 | HEX NUT M6 | GB889-M6 | 5 | |
| 19 | BOLT M6X20 | GB818-M6×20 | 4 | |
| 20 | NUT | MRS80-811101 | 1 | |
| 21 | WASHER | MRS80-809006 | 1 | |
| 22 | SIDE PROCTIVE COVER | MRS62-5105R | 1 | FOR ROBIN EH09 |
| | | MRS62-5105H | | FOR HONDA GX100 |
| 23 | PROTECTIVE FRAME, RIGHT | MRS62-5104RR | 1 | FOR ROBIN EH09 |
| | | MRS62-5104HR | | FOR HONDA GX100 |
| 24 | HEX BOLT M8X40 | GB5783-M8*40 | 4 | FOR HONDA GX100 |
| | HEX BOLT M10X35 | GB5783-M10*35 | | FOR ROBIN EH09 |
| 25 | SPRING WASHER 8 | GB93-8 | 4 | FOR HONDA GX100 |
| | SPRING WASHER 10 | GB93-10 | | FOR ROBIN EH09 |
| 26 | FLAT WASHER 8 | GB97.1-8 | 4 | FOR HONDA GX100 |
| | FLAT WASHER 10 | GB97.1-10 | | FOR ROBIN EH09 |
| 32 | CLUTCH | MRS80-809000 | 1 | |
| 33 | ENGINE | GX100 | 1 | HONDA GX100 |
| | | EH-09 | 1 | ROBIN EH09 |
| 34 | GUIDE CYLINDER ASSY. | MRS62-3200 | 1 | |
| 35 | SPRING CYLINDER ASSY. | MRS62-3100 | 1 | |
| 36 | MANUAL LIFTING HOOK | MRS62-2006 | 1 | |
| 37 | HEX NUT M12 | GB889-M12 | 4 | |
| 38 | SPRING WASHER 12 | GB93-12 | 4 | |
| 39 | SHOE PLATE ASSY. | MRS62-2000 | 1 | |
| 40 | BOLT | MRS80-802004-70 | 2 | |
| 41 | BOLT | MRS80-802004-75 | 2 | |

PARTS LIST 2
PMR60H/PMR60R



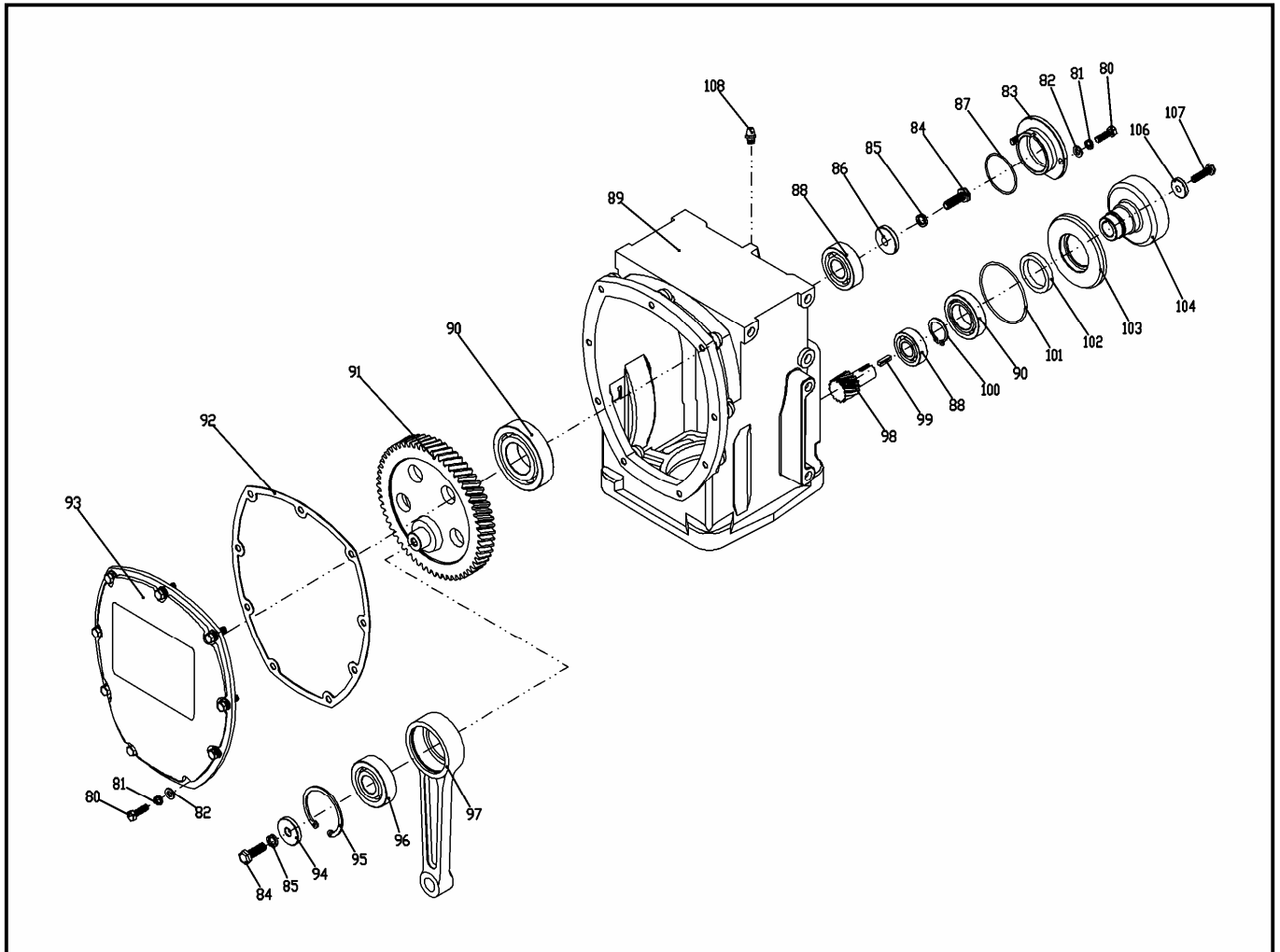
| ITEM NO. | DESCRIPTION | PART NO. | QTY | REMARK |
|----------|--------------------|------------------|-----|--------|
| 42 | FUEL TANK CAP | MRS80-801002 | 1 | |
| 43 | PACKING, FUEL TANK | MRS80-801003 | 1 | |
| 44 | HOLDER, FUEL TANK | MRS80-801004 | 1 | |
| 45 | PACKING, FUEL TANK | MRS80-801007 | 1 | |
| 46 | OIL STRAINER | MRS80-801008 | 1 | |
| 47 | CONNECTOR | MRS80-801006 | 1 | |
| 48 | O-RING | GB3452.1-14×3.55 | 1 | |
| 49 | FUEL TANK | MRS62-1001 | 1 | |
| 50 | FLAT WASHER 14 | GB97.1-14 | 1 | |
| 51 | HEX BOLT M14X1.5 | GB97.1-M14×1.5 | 1 | |
| 52 | FUEL COCK | MRS80-801005 | 1 | |
| 53 | HOSE CLAMP | Q673B-Φ9 | 4 | |
| 54 | FUEL HOSE | MRS80-801001A | 1 | |
| 55 | FUEL FILTER | MRS80-801009 | 1 | |
| 56 | FUEL HOSE | MRS80-801001B | 1 | |

PARTS LIST 3
PMR60H/PMR60R



| ITEM NO. | DESCRIPTION | PART NO. | QTY | REMARK |
|----------|------------------------|---------------|-----|--------|
| 58 | BOLT M4X16 | GB818-M4×16 | 2 | |
| 59 | SPRING WASHER 4 | GB93-4 | 2 | |
| 60 | FLAT WASHER 4 | GB97.1-4 | 2 | |
| 61 | ON OFF SWITCH | MRS80-809915 | 1 | |
| 62 | SLEEVE | MRS80-809917 | 1 | |
| 63 | CABLE | MRS80-809916 | 1 | |
| 64 | HANDLE | MRS62-5001 | 1 | |
| 65 | HEX NUT M4 | GB808-M4 | 2 | |
| 66 | SPRING WASHER 6 | GB93-6 | 8 | |
| 67 | FLAT WASHER 6 | GB97.1-6 | 10 | |
| 68 | HEX BOLT M6X16 | GB5783-M6×16 | 8 | |
| 69 | HEX BOLT M6X14 | GB70.3-M6×14 | 2 | |
| 70 | THROTTLE CABLE | MRS62-9910-02 | 1 | |
| 71 | THROTTLE LEVER | MRS62-9910-01 | 1 | |
| 72 | HEX NUT M6 | GB41-M6 | 1 | |
| 73 | HEX BOLT M6X30 | GB5783-M6×30 | 1 | |
| 74 | THROTTLE CONTROL ASSY. | MRS62-9910 | 1 | |
| 75 | HEX NUT M6 | GB889-M6 | 2 | |
| 76 | HEX NUT M8 | GB889-M8 | 1 | |
| 77 | SPRING WASHER 8 | GB93-8 | 1 | |
| 78 | SPRING WASHER 8 | GB97.1-8 | 1 | |
| 79 | RUBBER | MRS80-805004 | 1 | |

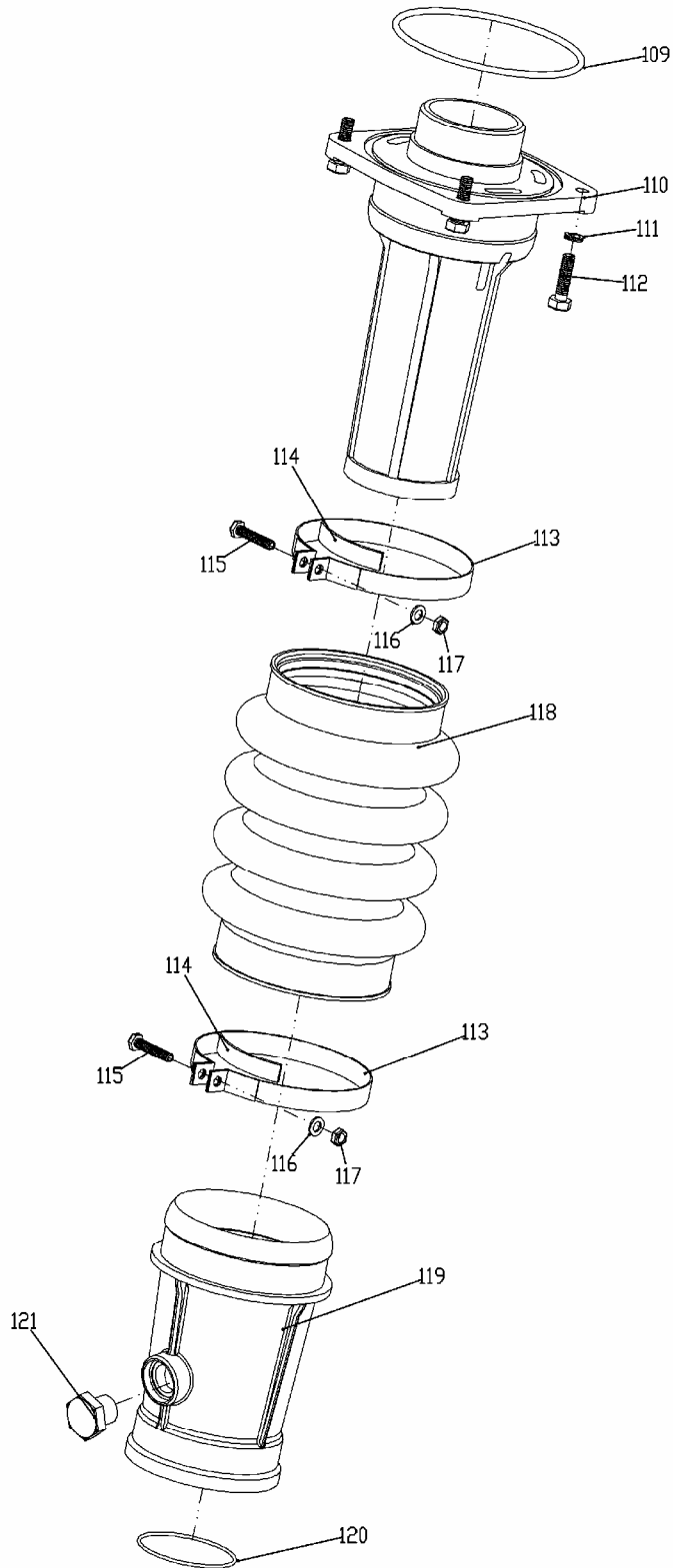
PARTS LIST 4 PMR60H/PMR60R



PARTS LIST 4
PMR60H/PMR60R

| ITEM NO. | DESCRIPTION | PART NO. | QTY | REMARK |
|----------|-------------------|---------------|-----|--------|
| 80 | HEX BOLT M6X20 | GB5783-M6×20 | 11 | |
| 81 | SPRING WASHER 6 | GB93-6 | 11 | |
| 82 | FLAT WASHER 6 | GB97.1-6 | 11 | |
| 83 | BEARING COVER | MRS80-804004 | 1 | |
| 84 | HEX BOLT M8X25 | GB5783-M8×25 | 2 | |
| 85 | SPRING WASHER 8 | GB93-8 | 2 | |
| 86 | WASHER | MRS80-804102 | 1 | |
| 87 | O-RING | 60CLX-OXQ-1 | 1 | |
| 88 | BEARING | 60CLX-ZC-1 | 1 | |
| 89 | CRANK CASE | MRS62-4001 | 1 | |
| 90 | BEARING | 60CLX-ZC-2 | 1 | |
| 91 | CRANK GEAR | MRS80-804101A | 1 | |
| 92 | GASKET | MRS62-4003 | 1 | |
| 93 | GEAR COVER | MRS62-4002 | 1 | |
| 94 | WASHER | MRS80-804302 | 1 | |
| 95 | RETAINING RING 52 | GB893.1-52 | 1 | |
| 96 | BEARING | 60CLX-ZC-3 | 1 | |
| 97 | CONNECTING ROD | MRS80-804301B | 1 | |
| 98 | GEAR SHAFT | MRS80-804201B | 1 | |
| 99 | KEY | GB1096-4×12 | 1 | |
| 100 | RETAINING RING 35 | GB894.1-35 | 1 | |
| 101 | O-RING | 60CLX-OXQ-2 | 1 | |
| 102 | GASKET | 60CLX-CXMFO | 1 | |
| 103 | SPACER | MRS80-808000B | 1 | |
| 104 | CLUTCH DRUM | MRS80-807000A | 1 | |
| 106 | WASHER | MRS80-804202 | 1 | |
| 107 | HEX BOLT M8X30 | GB5783-M8×30 | 1 | |
| 108 | EXHUAUST | GB1152-M6 | 1 | |

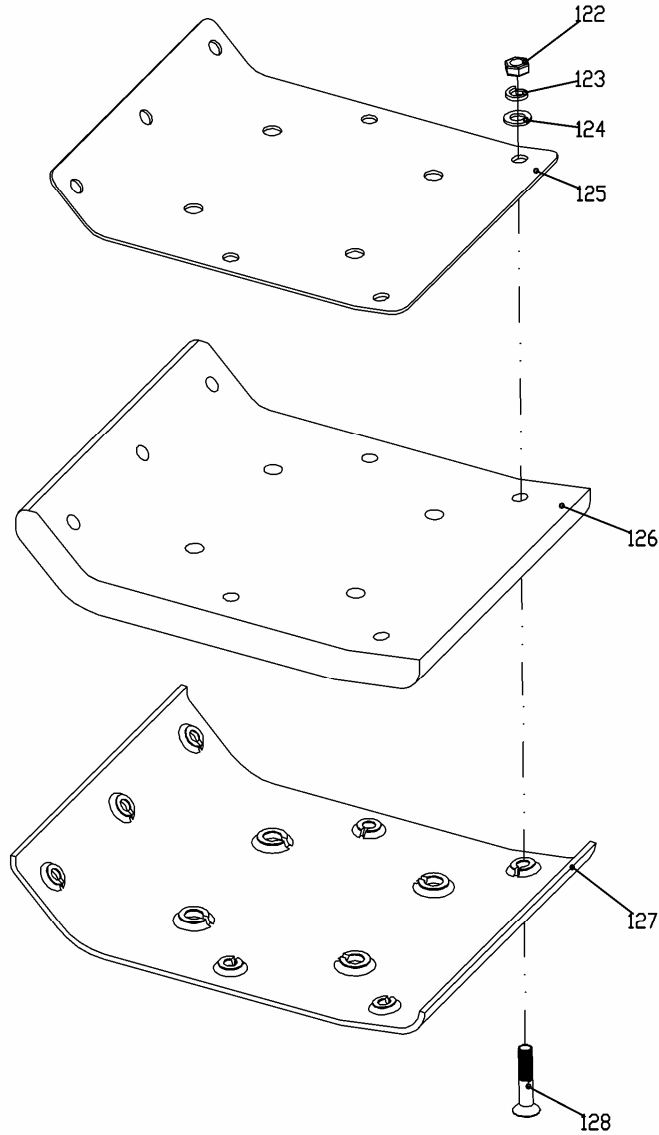
PARTS LIST 5
PMR60H/PMR60R



PARTS LIST 5
PMR60H

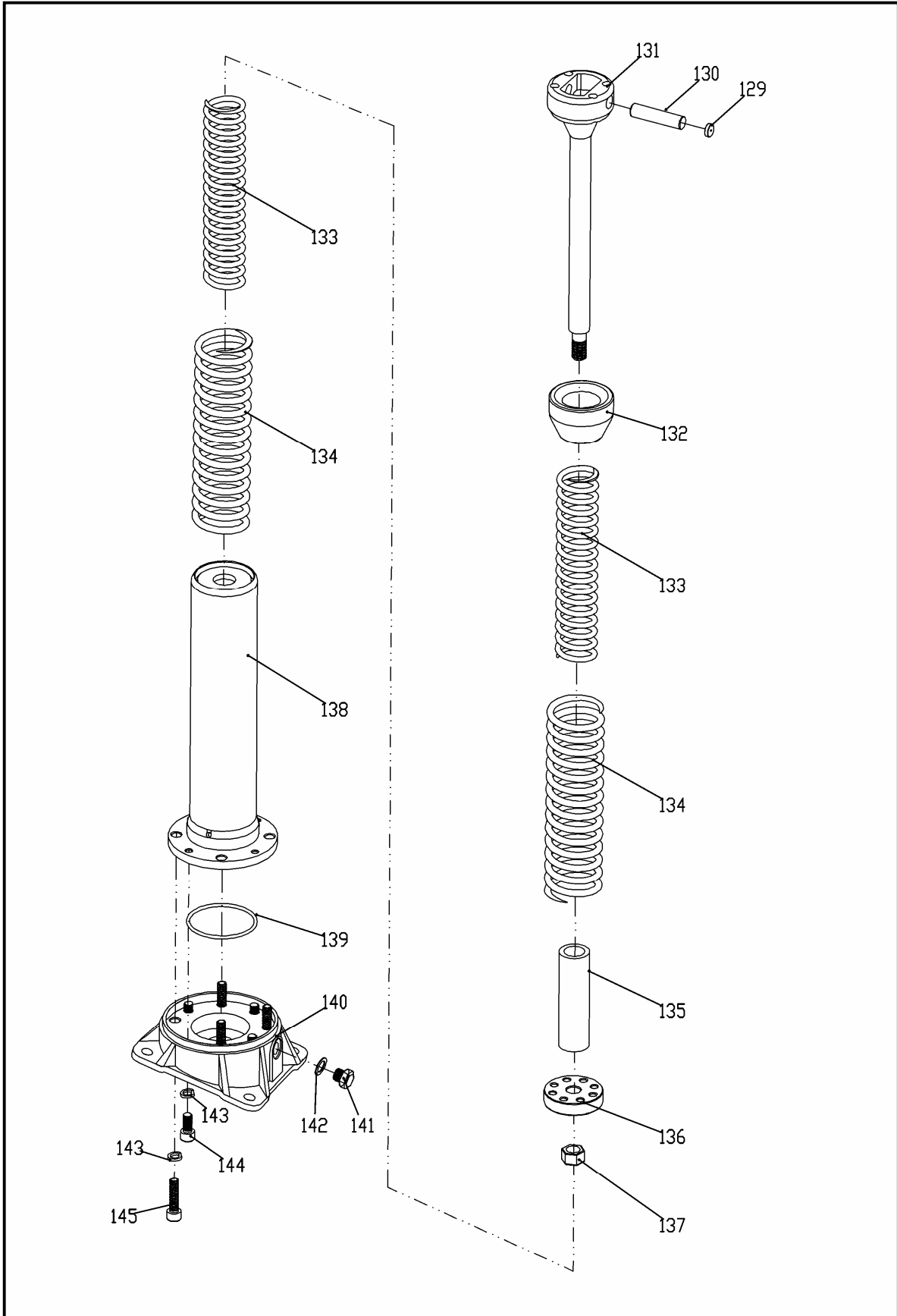
| ITEM NO. | DESCRIPTION | PART NO. | QTY | REMARK |
|----------|------------------|------------------|-----|--------|
| 109 | O-RING | 60DXTT-OXQ-1 | 1 | |
| 110 | GUIDE CYLINDER | MRS62-3201 | 1 | |
| 111 | SPRING WASHER 10 | GB93-10 | 4 | |
| 112 | HEX BOLT M10X35 | GB5783-M10×35 | 4 | |
| 113 | BELLOW CLAMP | MRS62-3204 | 2 | |
| 114 | SPACER | MRS62-3205 | 2 | |
| 115 | HEX BOLT M8X40 | GB5783-M8×40 | 2 | |
| 116 | FLAT WASHER 8 | GB97.1-8 | 2 | |
| 117 | HEX NUT M8 | GB6170-M8 | 2 | |
| 118 | BELLOW | MRS62-3203 | 1 | |
| 119 | SPRING CYLINDER | MRS62-3111 | 1 | |
| 120 | O-RING | 60DXTT-OXQ-2 | 1 | |
| 121 | OIL LEVER GAUGE | GB1160.2-M24×1.5 | 1 | |

PARTS LIST 6
PMR60H/PMR60R



| ITEM NO. | DESCRIPTION | PART NO. | QTY | REMARK |
|----------|------------------|---------------|-----|--------|
| 122 | HEX NUT M10 | GB889-M10 | 7 | |
| 123 | SPRING WASHER 10 | GB93-10 | 7 | |
| 124 | FLAT WASHER 10 | GB97.1-10 | 7 | |
| 125 | FOOT COVER | MRS962-2003 | 1 | |
| 126 | FOOT | MRS62-2002 | 1 | |
| 127 | METAL SHEET | MRS62-2001 | 1 | |
| 128 | BOLT | MRS680-802005 | 7 | |

PARTS LIST 7
PMR60H/PMR60R



PARTS LIST 7
PMR60H /PMR60R

| ITEM NO. | DESCRIPTION | PART NO. | QTY | REMARK |
|----------|------------------|-------------------|-----|--------|
| 129 | PLUG | MRS62-3303 | 2 | |
| 130 | PISTON PIN | MRS62-3302 | 1 | |
| 131 | PISTON ROD | MRS62-3301 | 1 | |
| 132 | STOPPER, UPPER | MRS62-3304 | 1 | |
| 133 | SPRING, INNER | MRS62-3002 | 2 | |
| 134 | SPRING, OUTER | MRS62-3001 | 2 | |
| 135 | STOPPER, LOWER | MRS62-3305 | 1 | |
| 136 | PISTON END | MRS62-3104 | 1 | |
| 137 | HEX NUT M16 | GB889-M16×1.5 | 1 | |
| 138 | SPRING CYLINDER | MRS62-3101 | 1 | |
| 139 | O-RING | 60XDXZH-OXQ | 1 | |
| 140 | FOOT PLATE | MRS62-3101 | 1 | |
| 141 | PLUG THREADED | JN/ZQ4450-M14×1.5 | 1 | |
| 142 | GASKET | MRS80-803112 | 1 | |
| 143 | SPRING WASHER 10 | GB93-10 | 8 | |
| 144 | HEX BOLT M10X20 | GB70.1-M10×20 | 4 | |
| 145 | HEX BOLT M10X40 | GB70.1-M10×40 | 4 | |